



\*所有圖片僅供示意。

## UHD 顯示器 UM5N-H

# 擁有高度安全性的 UHD 顯示器 搭載LG webOS



超高解析度



webOS 智慧平台



空間利用設計

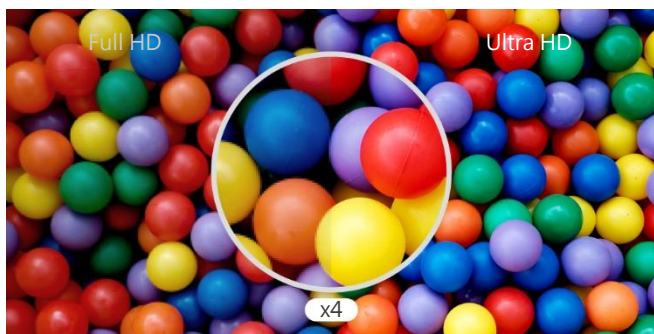


高度安全

### UM5N-H

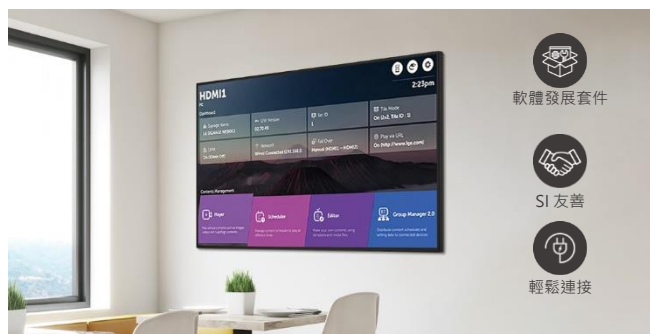
螢幕大小	65" / 55" / 49" / 43"
螢幕解析度	3,840 × 2,160 (UHD)
亮度	500 nit (Typ.)
表面處理 (霧度)	65" / 55" / 49" : 0.28% 43" : 0.25%
邊框寬度	65" : 12.4 mm (T/R/L/B) 55" / 49" : 12.4 mm (T/B), 11.4 mm (R/L) 43" : 12.1 mm (T/B), 11.1 mm (R/L)





## 高解析度顯示器

它的解析度是FHD的四倍，滿足客戶的視覺需求。此外，螢幕上的防眩光塗層可減少明亮照明環境下的螢幕反射，提高可視性和易讀性，為客戶提供舒適的螢幕。



## 方便的webOS 平台

UM5N-H 配備高效能 SoC，無需單獨的媒體播放器即可執行多項任務。webOS 平台為應用程式開發工具提供了直覺的 UI，增強了用戶便利性，能夠輕鬆連接外部感測器和 webOS 合作夥伴應用程式，建立了 SI 友善的使用環境。



## 耐用性帶來可靠性

UM5N-H 針對商業環境進行了優化，得益於電源板上的數形塗層，可免受鹽、灰塵、鐵粉和濕氣的影響，從而實現穩定運作。此外，其以客戶為中心的功能，如 IP5x、30 度傾斜和衝擊監控，也提供可靠性和滿意度。



## 空間利用設計

UM5N-H 採用薄邊框和簡單的電纜管理設計，可節省空間。具有專門的隱藏式電源入口，可緊貼牆壁安裝，僅為纖細的支架留下約 13 毫米的空間。

\* 由於不同尺寸所造成的差異，產品圖片與產品實際外觀會略有不同。

\* 所有圖片僅供示意。



## 增強的安全功能

UM5N-H 提供許多安全功能，包括 LG 的增強核心保護 (EKP) 技術，保護重要資料免於外部存取或攻擊。LG UHD Signage 還擁有資訊安全領域的可靠認證，可安全維護客戶的資料和業務。例如，此型號已通過 ISO/IEC 15408 通用標準 EAL2 認證。



## 永續發展

LG 致力於創新和永續發展，不斷努力為製造商、消費者和子孫後代創造更美好的未來。LG 專注於最大限度地減少浪費、最大限度地回收和高效的電源管理，積極致力於永續發展，並獲得了 FCC EMC B 級等各種認證。



## SuperSign 解決方案

SuperSign 是一種直覺性的整合式內容管理解決方案，能夠讓您在空間中提供創意且有組織的顯示器播放內容，透過便利的用戶體驗將客戶與一系列服務連接起來。有多種版本，例如 SuperSign Cloud，因此請享受最適合您的版本。

\* 所有圖片僅供示意。

## 連接埠

65" / 55" / 49" / 43"

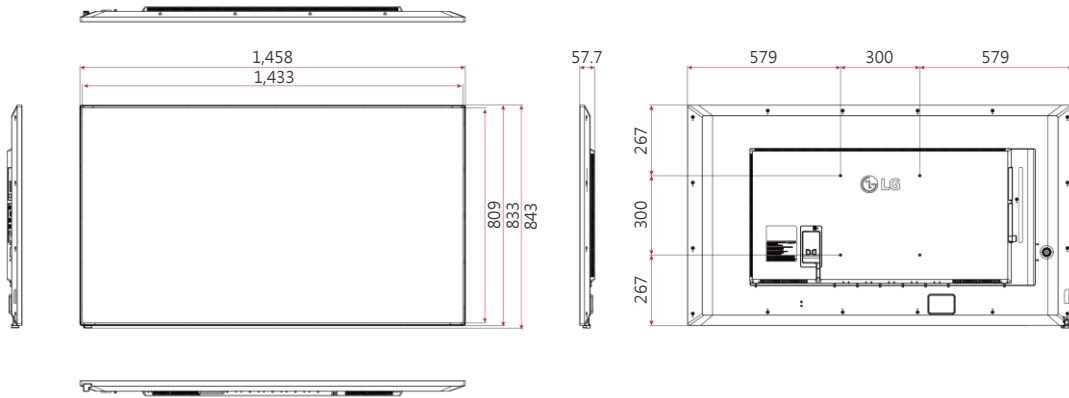


- |             |             |               |                   |
|-------------|-------------|---------------|-------------------|
| ① LAN IN    | ④ HDMI IN 3 | ⑦ USB 2.0 IN  | ⑩ IR&LIGHT SENSOR |
| ② HDMI IN 1 | ⑤ DP IN     | ⑧ RS-232C IN  | ⑪ AUDIO OUT       |
| ③ HDMI IN 2 | ⑥ HDMI OUT  | ⑨ RS-232C OUT |                   |

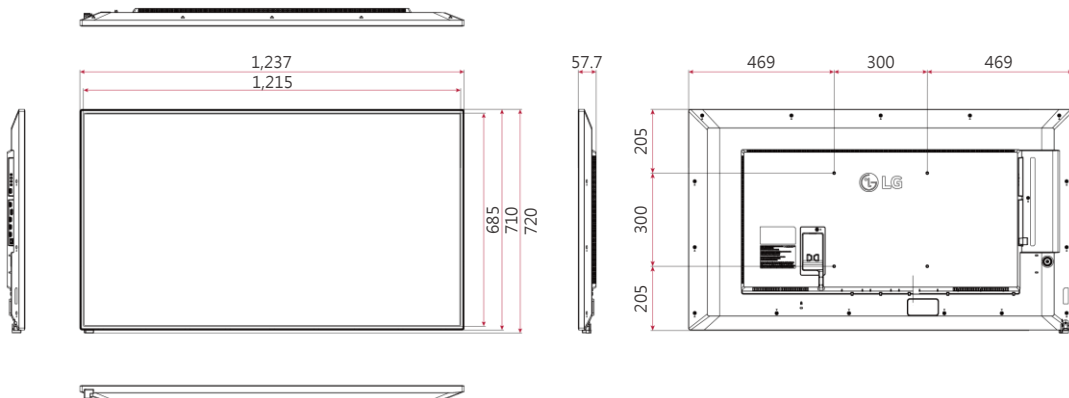
# 尺寸

(unit: mm)

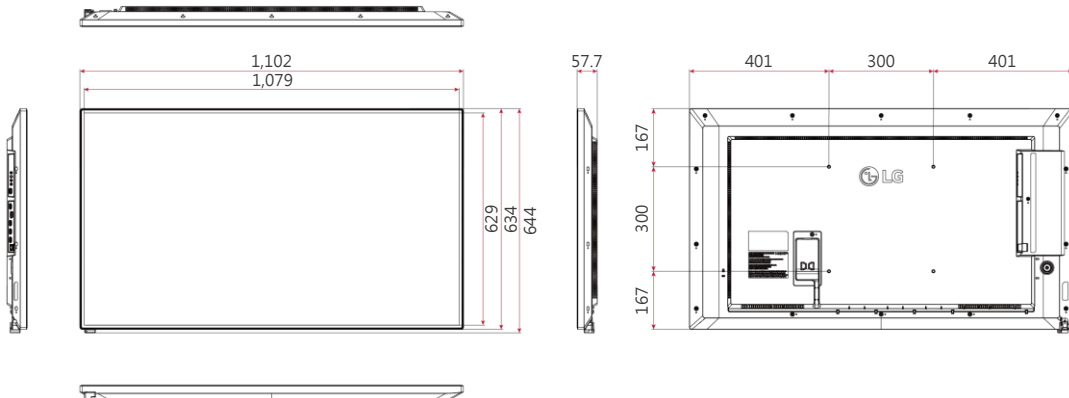
## 65"



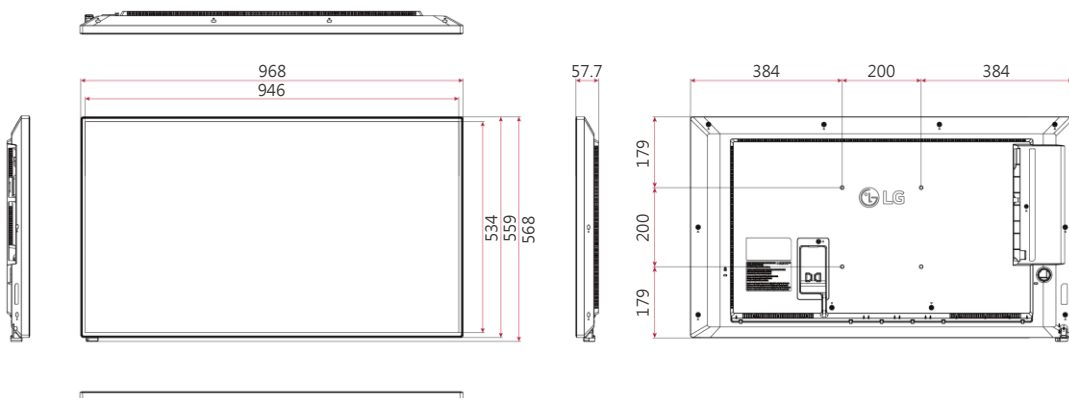
## 55"



## 49"



## 43"



# 規格表

UM5N-H

	65UM5N-H	55UM5N-H	49UM5N-H	43UM5N-H	
Panel	Screen Size	65"	55"	49"	43"
	Panel Technology	IPS	IPS	IPS	IPS
	Back Light Type	Direct	Direct	Direct	Direct
	Aspect Ratio	16 : 9	16 : 9	16 : 9	16 : 9
	Native Resolution	3,840 × 2,160 (UHD)	3,840 × 2,160 (UHD)	3,840 × 2,160 (UHD)	3,840 × 2,160 (UHD)
	Refresh Rate	60 Hz	60 Hz	60 Hz	60 Hz
	Brightness	500 nit (Typ.)	500 nit (Typ.)	500 nit (Typ.)	500 nit (Typ.)
	Contrast Ratio	1,000 : 1	1,100 : 1	1,100 : 1	1,000 : 1
	Dynamic CR <sup>1)</sup>	1,000,000 : 1	1,000,000 : 1	1,000,000 : 1	1,000,000 : 1
	Color Gamut	BT709 95%	BT709 95%	BT709 95%	BT709 95%
	Viewing Angle (H × V)	178 × 178	178 × 178	178 × 178	178 × 178
	Color Depth	1.07 Billion Colors (10 bit (D))	1.07 Billion Colors (10 bit (D))	1.07 Billion Colors (10 bit (D))	1.07 Billion Colors (8 bits + FRC)
	Response Time	8 ms (T/R), 10 ms (T/F)	8 ms (T/R), 10 ms (T/F)	8 ms (T/R), 10 ms (T/F)	8 ms (T/R), 10 ms (T/F)
	Surface Treatment (Haze)	28%	28%	28%	25%
Lifetime	50,000 Hrs (Min.)	50,000 Hrs (Min.)	50,000 Hrs (Min.)	50,000 Hrs (Min.)	
Operation Hours (Hours/Day)	24 / 7	24 / 7	24 / 7	24 / 7	
Portrait / Landscape	Yes / Yes	Yes / Yes	Yes / Yes	Yes / Yes	
Connectivity	Input	HDMI In (3, 3,840 × 2,160 @ 60 Hz, HDCP 2.2/1.4), DP In (3,840 × 2,160 @ 60 Hz, HDCP 2.2/1.3), RS-232C In (4 Pin Phone-jack), RJ45 (LAN) In, IR In, USB In 2.0 (Type A)			
	Output	HDMI Out (3,840 × 2,160 @ 30 Hz, Input (HDMI1/2/3/DP)), Audio Out, RS-232C Out (4 Pin Phone-jack), Daisy Chain (Input HDMI, DP / Output HDMI)			
Mechanical Specification	Bezel Color	Black	Black	Black	Black
	Bezel Width	12.4 mm (T/R/L/B) (Even)	12.4 mm (T/B), 11.4 mm (R/L)	12.4 mm (T/B), 11.4 mm (R/L)	12.1 mm (T/B), 11.1 mm (R/L)
	Weight (Head)	26.1 kg	14.2 kg	11.4 kg	9.0 kg
	Packed Weight	28.4 kg	18.9 kg	14.4 kg	11.3 kg
	Monitor Dimensions (W × H × D)	1,458 × 833 × 57.7 mm (Without IR)	1,237 × 710 × 57.7 mm (Without IR)	1,102 × 634 × 57.7 mm (Without IR)	968 × 559 × 57.7 mm (Without IR)
	Carton Dimensions (W × H × D)	1,600 × 970 × 179 mm	1,360 × 810 × 162 mm	1,215 × 736 × 152 mm	1,055 × 660 × 142 mm
	Handle	No	No	No	No
VESA™ Standard Mount Interface	300 × 300 mm	300 × 300 mm	300 × 300 mm	200 × 200 mm	
Key Feature	Internal Memory 16 GB, Built-in Wi-Fi, Sensor (Temperature Sensor, Auto Brightness Sensor (External IR), Acceleration (Gyro) Sensor), Local Key Operation, Built-in Speaker, webOS 6.0, Local Contents Scheduling, Group Manager, USB Plug & Play, Fail Over, Image (Booting Logo Image), Sync (RS-232C Sync, Local Network Sync), PIP, PBP (4), Screen Share, Video Tag (4), Play via URL, Rotation (Screen Rotation, External Input Rotation), Gapless Playback, Tile Mode Setting (Max. 15 × 15), Setting Data Cloning, SNMP, ISM Method, Auto Set ID, Status Mailing, Control Manager, 3rd Party Compatibility (Cisco Certi., Crestron Connected <sup>®2)</sup> ), Smart Energy Saving, PM Mode, Wake on LAN, Network Ready, Beacon, HDMI-CEC <sup>3)</sup> , SI Server Setting, webRTC, Pro:Idiom				
Environment Conditions	Operation Temperature	0°C to 40°C	0°C to 40°C	0°C to 40°C	0°C to 40°C
	Operation Humidity	10% to 80%	10% to 80%	10% to 80%	10% to 80%
Power	Power Supply	AC 100-240 V ~, 50/60 Hz	AC 100-240 V ~, 50/60 Hz	AC 100-240 V ~, 50/60 Hz	AC 100-240 V ~, 50/60 Hz
	Power Type	Built-in Power	Built-in Power	Built-in Power	Built-in Power
Power Consumption	Typ. / Max.	145 W / 200 W	130 W / 180 W	120 W / 160 W	100 W / 140 W
	BTU (British Thermal Unit)	495 BTU/Hr (Typ.), 682 BTU/Hr (Max.)	444 BTU/Hr (Typ.), 614 BTU/Hr (Max.)	409 BTU/Hr (Typ.), 546 BTU/Hr (Max.)	341 BTU/Hr (Typ.), 478 BTU/Hr (Max.)
	Smart Energy Saving, ~70%	101.5 W	91 W	84 W	70 W
	DPM	0.5 W	0.5 W	0.5 W	0.5 W
	Power off	0.5 W	0.5 W	0.5 W	0.5 W
Certification	Safety	CB / NRTL	CB / NRTL	CB / NRTL	CB / NRTL
	EMC	FCC Class "B" / CE / KC	FCC Class "B" / CE / KC	FCC Class "B" / CE / KC	FCC Class "B" / CE / KC
	ErP / Energy Star	Yes (NewErP) / Yes	Yes (NewErP) / Yes	Yes (NewErP) / Yes	Yes (NewErP) / Yes
	ePEAT (US only)	No	No	No	No
	ISTA6	Yes (~23.9, US Suffix Only)	Yes (~23.9, US Suffix Only)	Yes (~23.9, US Suffix Only)	Yes (~23.9, US Suffix Only)
Carbon Trust	Yes (CO2 Measured)	Yes (CO2 Measured)	Yes (CO2 Measured)	Yes (CO2 Measured)	
OPS Compatibility	OPS Type Compatible	No	No	No	No
	OPS Power Built-in	No	No	No	No
Software Compatibility	SuperSign CMS, SuperSign Control / Control+, SuperSign WB, SuperSign Cloud, Mobile CMS, LG ConnectedCare <sup>4)</sup>				
Language	English, French, German, Spanish, Italian, Korean, Chinese (Simplified), Chinese (Original), Portugues (Brazil), Swedish, Finnish, Norwegian, Danish, Russian, Japanese, Portugues (Europe), Dutch, Czech, Greek, Türkiye, Arabic				
Accessory	Basic	Remote Controller, Power Cord, QSG, Regulation Book, Phone to RS-232C Gender			
	Optional	Slim Wall Mount (WB21LM A/B), Normal Wall Mount (OLW480 A/B) Wall Mount Adapter (AM-B330S)	Slim Wall Mount (WB21LM A/B), Normal Wall Mount (OLW480 A/B) Wall Mount Adapter (AM-B330S)	Slim Wall Mount (WB21LM A/B), Normal Wall Mount (OLW480 A/B) Wall Mount Adapter (AM-B330S)	Slim Wall Mount (WB21LM A/B), Normal Wall Mount (LSW240 A/B) Wall Mount Adapter (AM-B220S)
Special Feature	Tilt (Face Down)	Yes (Max. 30° Degree, 40°C Temperature)			
	IP Rating	IP5X	IP5X	IP5X	IP5X
	Conformal Coating (Power Board)	Yes	Yes	Yes	Yes

<sup>1)</sup> The luminosity ratio of Full Black / Full White color on video input condition.

<sup>2)</sup> Network based control.

<sup>3)</sup> Compatibility may differ by equipment.

<sup>4)</sup> The availability can differ by region.

\* 規格如有更改，恕不另行通知。請務必查看產品手冊以了解有關產品使用的詳細資訊。



Download  
LG C-Display+  
Mobile App

Google Play Store

www.lg.com/global/business/information-display  
www.youtube.com/c/LGCommercialDisplay  
www.facebook.com/LGInformationDisplay  
www.linkedin.com/company/lginformationdisplay  
twitter.com/LG\_ID\_HQ

LG may make changes to specifications and product descriptions without notice.  
Copyright © 2023 LG Electronics Inc. All rights reserved. "LG Life's Good" is a registered trademark of LG Corp. The names of products and brands mentioned here may be the trademarks of their respective owners.

